

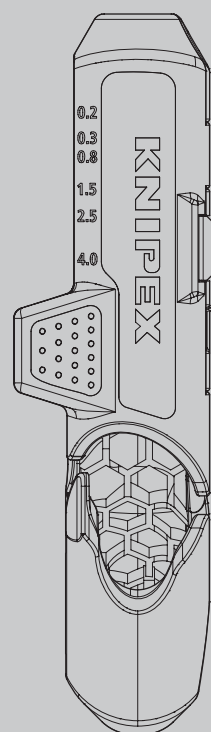
KNIPEX Quality – Made in Germany



Operating instructions

EN KNIPEX ErgoStrip®
Universal Stripping Tool

16 95 01 SB / 16 95 02 SB



CONTENTS

1	General	3
1.1	Notes on operating instructions	3
1.2	Symbols	3
1.3	Copyright	3
1.4	Guarantee and warranty	4
2	Safety	5
2.1	Intended use	5
3	Design and function	6
3.1	Design	6
3.2	Function	6
4	Operation	7
4.1	Stripping round electrical cables	7
4.2	Stripping cables with longitudinal cuts	8
4.3	Stripping coax and data cables	9
4.4	Stripping individual conductor cores and coax cables	10
5	Maintenance	11
6	Technical data	11
7	Disposal	11

1 General

1.1 Notes on operating instructions

These operating instructions are designed to enable you to use your tool safely and efficiently.

The tool may only be used if it is in technically perfect condition.

As a consequence of technical developments, the illustrations and descriptions contained in these operating instructions may differ slightly from the tool actually delivered.

We do not accept any liability for damage caused by failure to observe these operating instructions.

1.2 Symbols

All safety instructions in these operating instructions are indicated by corresponding symbols. The signal words at the beginning of each safety instruction express the extent of the hazard.



Danger!

Level 1 risk source

This combination of symbol and signal word indicates an imminently hazardous situation that will result in death or serious injury if not avoided.



Warning!

Level 2 risk source

This combination of symbol and signal word indicates a possibly hazardous situation that may result in death or serious injury if not avoided.



Caution!

Level 3 risk source

This combination of symbol and signal word stands for important information that will assist in preventing damage to property or the environment.

1.3 Copyright

These operating instructions and all documentation supplied with this tool are protected by copyright and remain the property of KNIPEX.

The reprinting of these instructions, even in extract form, is only permitted with the written consent of C. Gustav Putsch KG.

1.4 Guarantee and warranty

The manufacturer grants a statutory warranty in accordance with the current sales and delivery conditions. No further warranties or assurances are granted.

Within the warranty period, the warranty covers the rectification of all defects that can be traced back to material faults or manufacturing errors.

Wearing parts are excluded from the warranty.

The repair or replacement of a tool shall not result in an extension of the warranty period. Tools shall only be repaired or replaced with "as new" parts, whose function corresponds to that of the old parts. All defective and hence replaced parts are the property of the manufacturer.

Warranty claims shall expire in particular if:

- Damage is caused through improper operation, use for purposes other than those specified by the manufacturer, or poor maintenance.
- Repairs or conversions are carried out by unauthorized persons.
- No original accessories or spare parts from KNIPEX are used.
- Defective components are not repaired immediately to minimise the extent of the damage and so as not to impair the safety of the tool (obligation to repair).

For the rest, reference is made to the liability and warranty regulations of the current sales and delivery conditions.

2 Safety

2.1 Intended use

The tool is intended for the following uses:

- Stripping round and damp-proof cables (diameter 8 to 13 mm)
- Stripping conductor cores and wire strands (0.2 to 4 mm²)
- Stripping coax cables (diameter 4.8 to 7.5 mm)
- Stripping data cables CAT 5-7, twisted pair (UTP/STP)

Any use beyond the intended purpose or any unauthorized modification shall be considered improper. The operator shall be liable for damages resulting from improper use.

Intended use also includes adhering to these operating instructions. They must be read in full before use.



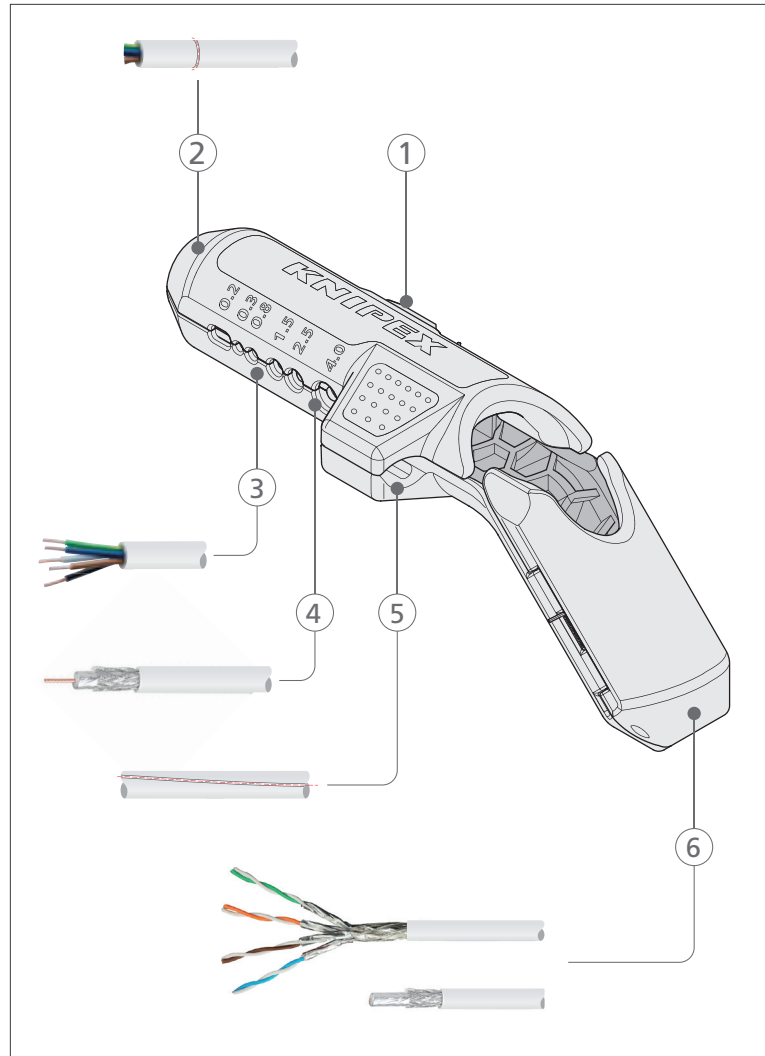
Warning!

Danger from sharp blades!

Handling sharp blades is dangerous. For this reason, make sure to handle your tools with care when working.

3 Design and function

3.1 Design



Design of the stripping tool

- 1 Catch for the opening mechanism
- 2 Blades for stripping electrical cables (round cables)
- 3 Blades for stripping individual conductor cores
- 4 Blades for stripping the inner conductor core of coax cables
- 5 Blade for making longitudinal cuts
- 6 Blades for stripping coax and data cables (with insertion aid)

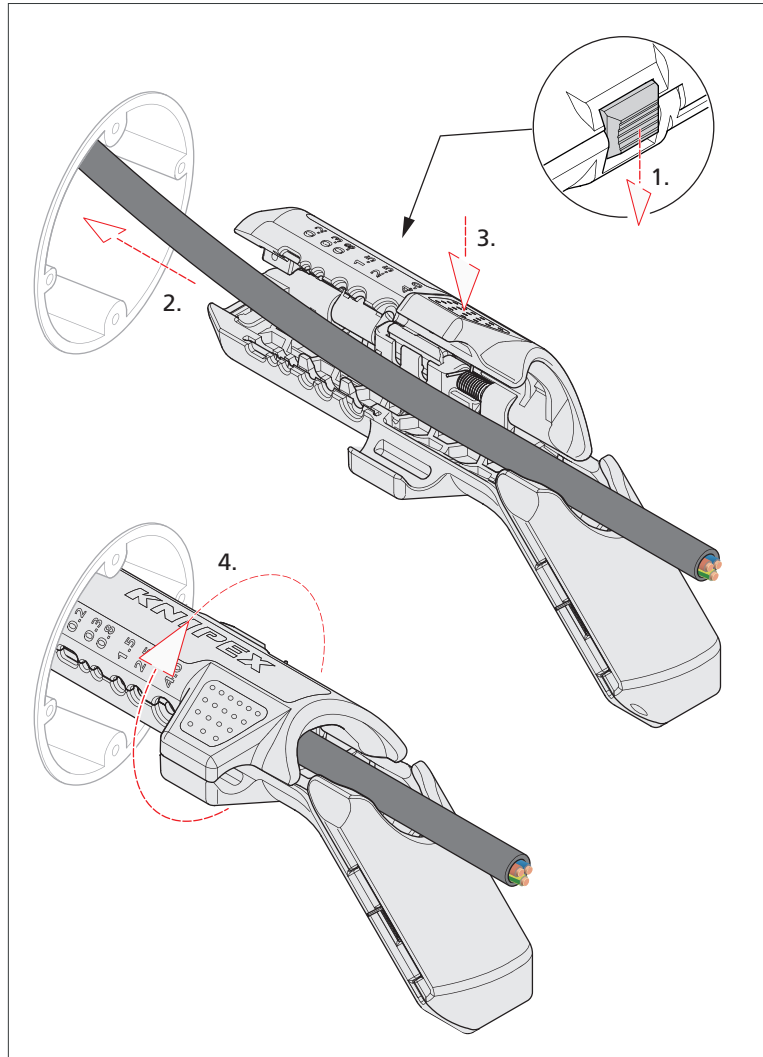
3.2 Function

The universal stripping tool is used to strip electrical cables (round and damp-proof cables), individual conductor cores, data cables and coax cables.

4 Operation

4.1 Stripping round electrical cables

- » Release the catch to open the electrical cable holder.
- » Feed the cable into the holder and through the tool.
- » Close the holder and keep it closed.
- » Twist the tool back and forth a few times to strip the cable.

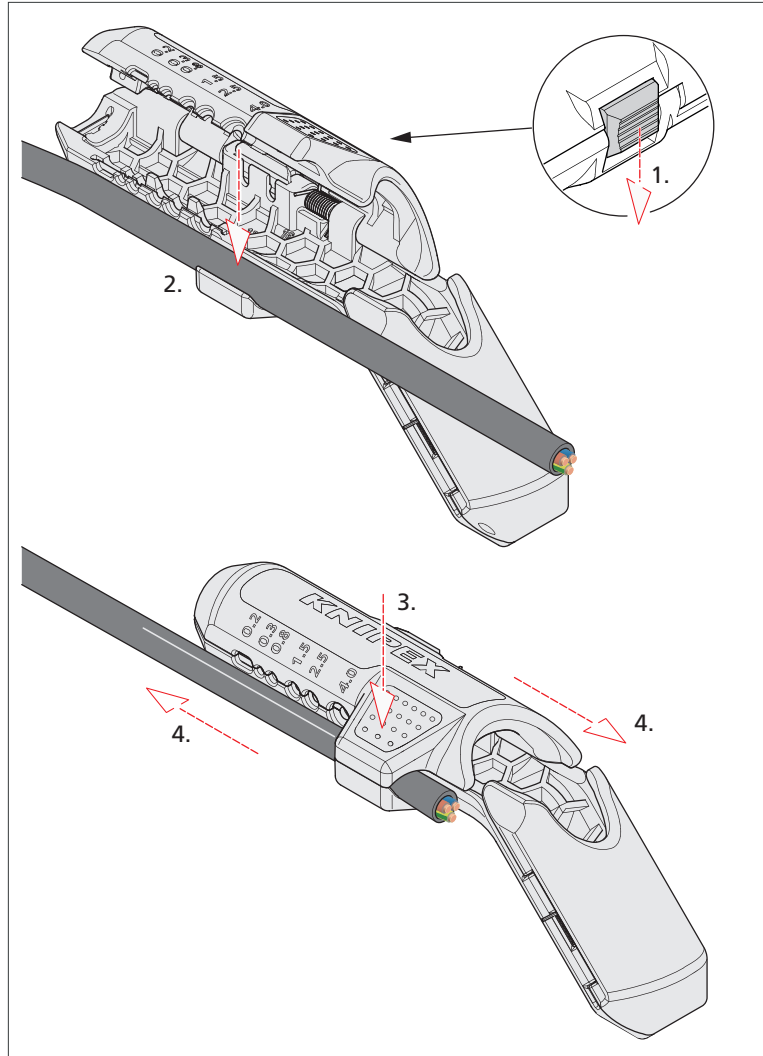


Stripping round electrical cable

- » Open the tool and remove the insulation from the cable.

4.2 Stripping cables with longitudinal cuts

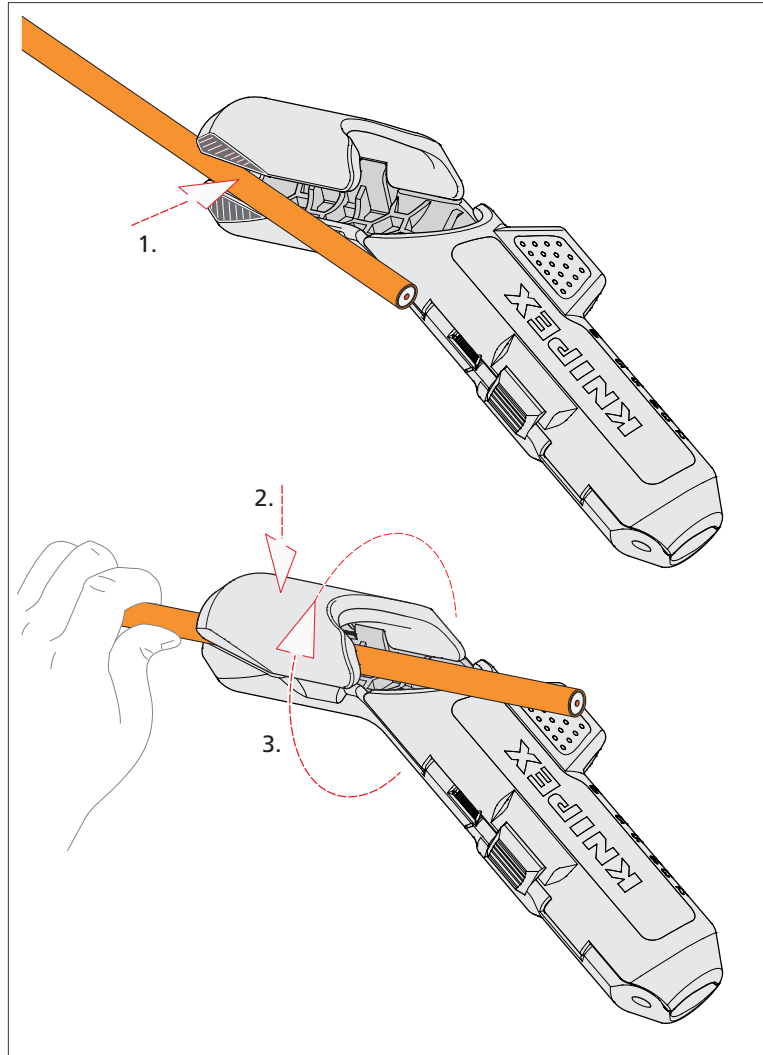
- » Release the catch to open the electrical cable holder.
- » Place the cable in the cable holder for longitudinal cutting.
- » Close the holder and keep it tightly closed.
- » Pull the cable out of the holder.



Slit the round electrical cable lengthways

4.3 Stripping coax and data cables

- » Guide the cable through the insertion aid into the holder and through the tool.
- » Close the holder and keep it closed.
- » Twist the tool a few times to strip the cable.

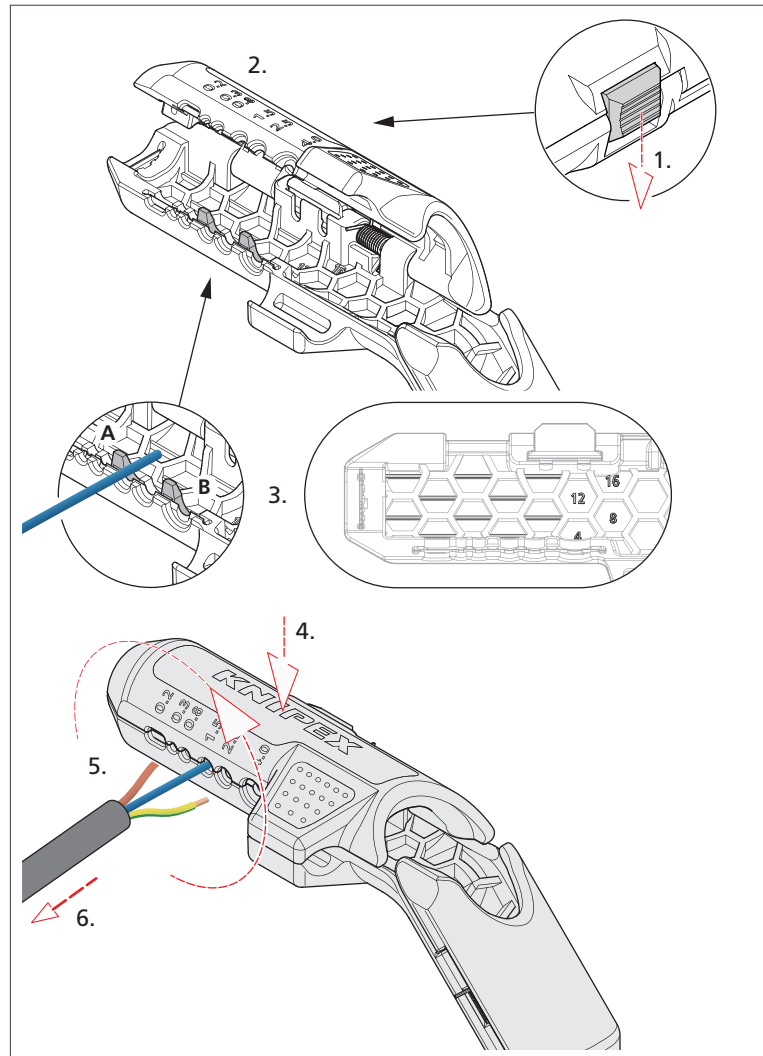


Stripping coax and data cables

- » Pull the stripped cable out of the holder.
- » Open the tool and remove the insulation from the cable.

4.4 Stripping individual conductor cores and coax cables

- » Release the catch to open the electrical cable holder.
- » Select the position that matches the cable cross-section (capacity) (0.2, 0.3, 0.8, 1.5, 2.5, 4.0 mm²).
Note: Use the 4 mm² opening for the inner insulation of a coaxial cable.
- » Insert the end of the cable into the selected holder. Positioning bars (for 0.8-1.5 mm² and 2.5-4.0 mm²) make insertion easier.
Note: There are markings on the inside of the tool for different stripping lengths (4, 8, 12, 16 mm).
- » Close the holder and keep it tightly closed.
- » Twist the tool a few times to strip the cable.



Stripping individual conductors

- » Pull the stripped cable out of the holder.

5 Maintenance

The tool is maintenance-free.

6 Technical data

Technical data	Unit	
Article number	–	16 95 01 SB (for right-handers), 16 95 02 SB (for left-handers)
Length	mm	135
Weight	g	95
Properties	–	with opening spring and locking device
Cable types	–	electric cable (round cable), single conductors, data cable, coaxial cable

7 Disposal

The tool can be disposed of as household waste.



KNIPEX-Werk
C. Gustav Putsch KG

42337 Wuppertal

Tel.: +49 202 – 47 94-0
Fax: +49 202 – 47 74 94

info@knipex.com
www.knipex.com