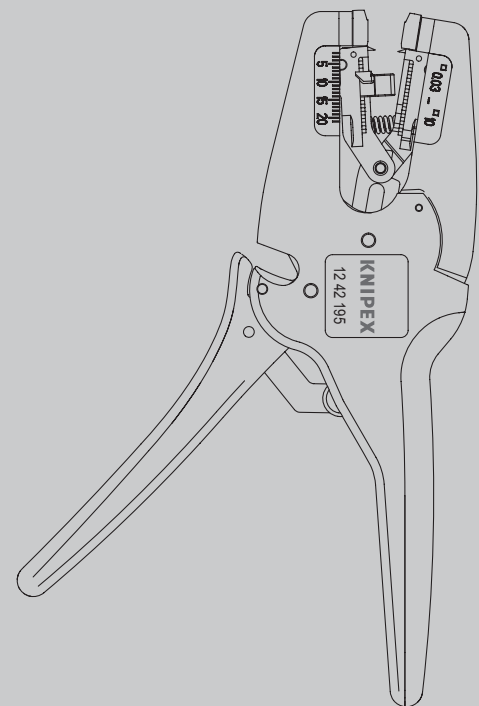


Operating instructions

12 42 195

EN **Automatic Insulation Stripper**
for stripping fine-stranded wire to solid
round cables



CONTENTS

1	General	3
1.1	Notes on operating instructions	3
1.2	Symbols used	3
1.3	Copyright	3
1.4	Guarantee and warranty	3
2	Safety	4
2.1	Intended use	4
3	Design and function	5
3.1	Design	5
3.2	Function	5
4	Operation	6
4.1	Cutting cables	6
4.2	Stripping cables (with single, multi and fine-stranded conductors)	7
5	Maintenance	8
5.1	Changing the feed stop	8
5.2	Changing the blade unit	9
6	Technical data	12
7	Disposal	12

1 General

1.1 Notes on operating instructions

These operating instructions are designed to enable you to use your tool safely and efficiently.

The tool may only be used if it is in technically perfect condition.

As a consequence of technical developments, the illustrations and descriptions contained in these operating instructions may differ slightly from the tool actually delivered.

We do not accept any liability for damage caused by failure to observe these operating instructions.

1.2 Symbols used

All safety instructions in these operating instructions are indicated by corresponding symbols. The signal words at the beginning of each safety instruction express the extent of the Hazard.



Danger!

Level 1 risk source

This combination of symbol and signal word indicates an imminently hazardous situation that will result in death or serious injury if not avoided.



Warning!

Level 2 risk source

This combination of symbol and signal word indicates a possibly hazardous situation that may result in death or serious injury if not avoided.



Caution!

Level 3 risk source

This combination of symbol and signal word stands for important information that helps to prevent damage to property or the environment.

1.3 Copyright

These operating instructions and all documentation supplied with this tool are protected by copyright and remain the property of KNIPEX.

The reprinting of these instructions, even in extract form, is only permitted with the written consent of KNIPEX Werk C. Gustav Putsch KG.

1.4 Guarantee and warranty

The manufacturer grants a statutory warranty in accordance with the current sales and delivery conditions. No further warranties or assurances are granted.

Within the warranty period, the warranty covers the rectification of all defects that can be traced back to material faults or manufacturing errors.

Wearing parts are excluded from the warranty.

The repair or replacement of a tool shall not result in an extension of the warranty period. Tools shall only be repaired or replaced with "as new" parts, whose function corresponds to that of the old parts. All defective and hence replaced parts are the property of the manufacturer.

Warranty claims shall expire in particular if:

- Damage is caused through improper operation, use for purposes other than those specified by the manufacturer, or poor maintenance.
- Repairs or conversions are carried out by unauthorized persons.
- Original accessories or spare parts from KNIPEX are not used.
- Defective components are not repaired immediately to minimise the extent of the damage and so as not to impair the safety of the tool (obligation to repair).

For the rest, reference is made to the liability and warranty regulations of the current sales and delivery conditions.

2 Safety

2.1 Intended use

The tool is intended for the following uses:

- Stripping single, multi and fine-stranded conductors from 0.03 to 10 mm² / AWG 32 – 7
- Cutting copper and aluminium conductors up to max. 10 mm² (multi-stranded) and 6 mm² (single-strand)

Any use beyond the intended purpose or any unauthorized modification shall be considered improper. The operator shall be liable for damages resulting from improper use.

Intended use also includes adhering to these operating instructions. They must be read in full before use.



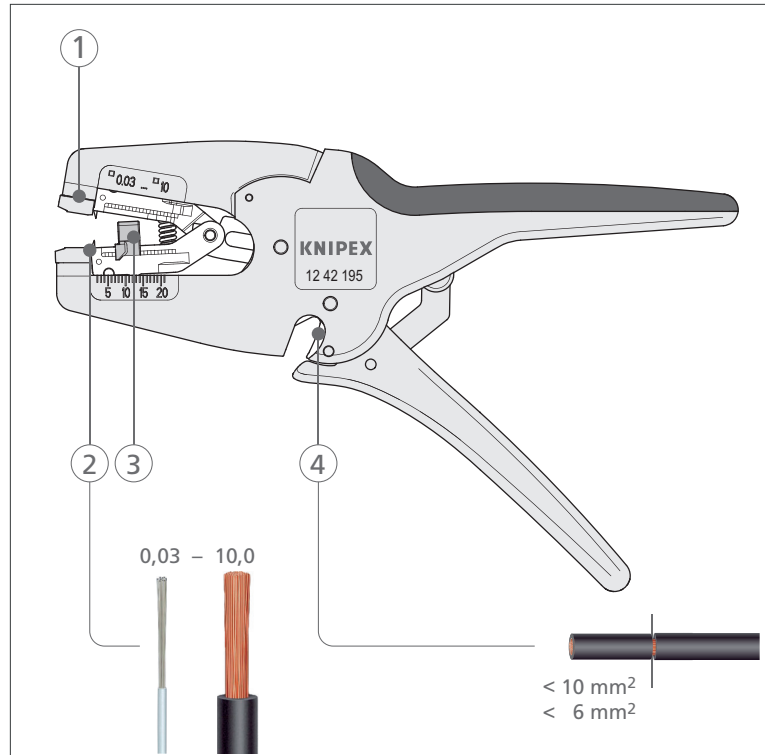
Warning!

Danger from sharp blades!

Handling sharp blades is dangerous. For this reason, make sure to handle your tools with care when working.

3 Design and function

3.1 Design



Design of the stripping tool

- 1 Holder for cables / conductors
- 2 Blades for wire stripping
- 3 Adjustable feed stop (4.0 to 18.0 mm)
- 4 Wire cutter for fine-stranded copper and aluminium conductors (max. 10 mm²)

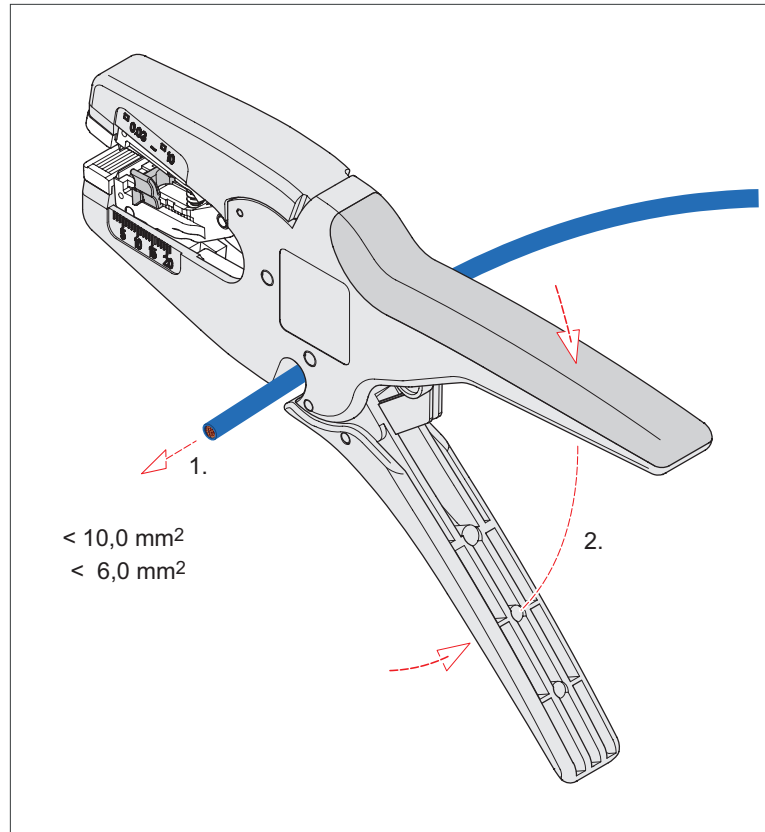
3.2 Function

Solid, stranded and fine-stranded conductors are shortened and stripped with the automatic wire stripper.

Manual fine adjustment is not required, as the cutting depth is automatically adjusted to all conductors with standard insulation.

4 Operation

4.1 Cutting cables

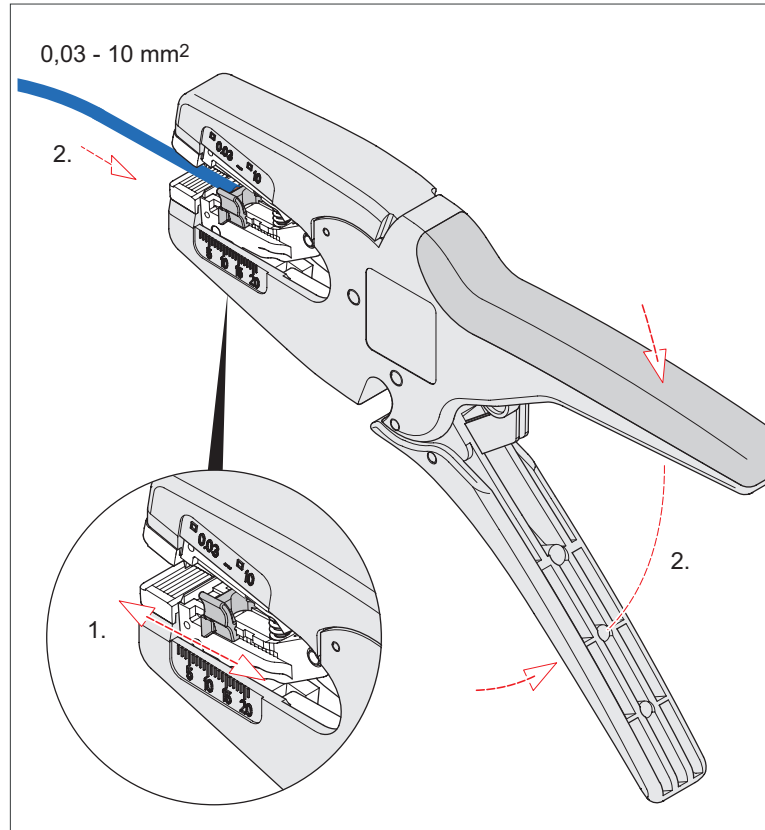


Trim cable

1. Insert the end of the cable to be cut between the two blades of the wire cutter.
2. Firmly press the two handles together.

4.2 Stripping cables (with single, multi and fine-stranded conductors)

- » Set the length stop to the required size (4 to 18 mm).*
- » Insert the end of the cable into the holder.
- » Firmly press the two handles together.



Stripping single conductors

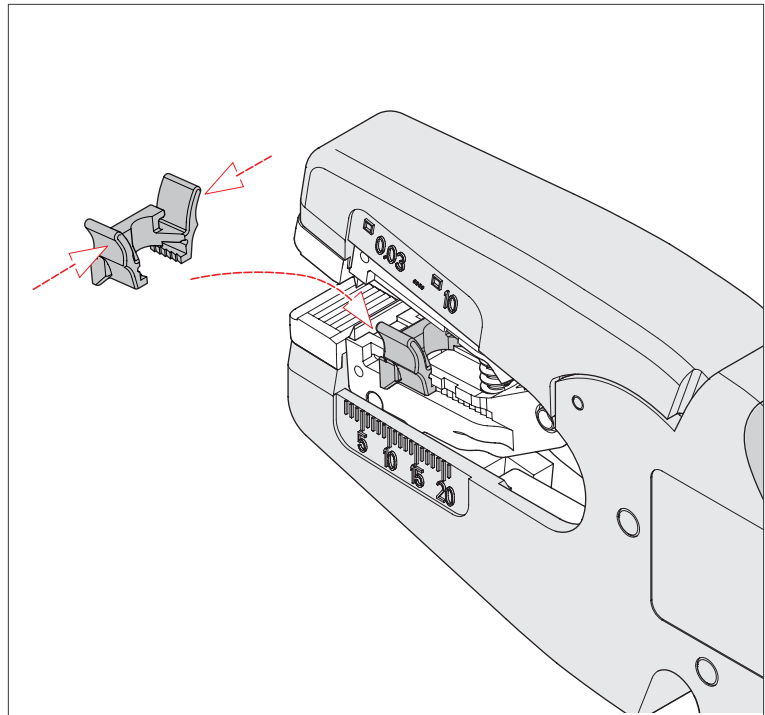
- » Pull the stripped cable out of the holder.

Manual fine adjustment is not necessary, as the cutting depth is adjusted automatically.

* If you remove the feed stop, you can strip a maximum length of 20 mm.

5 Maintenance

5.1 Changing the feed stop



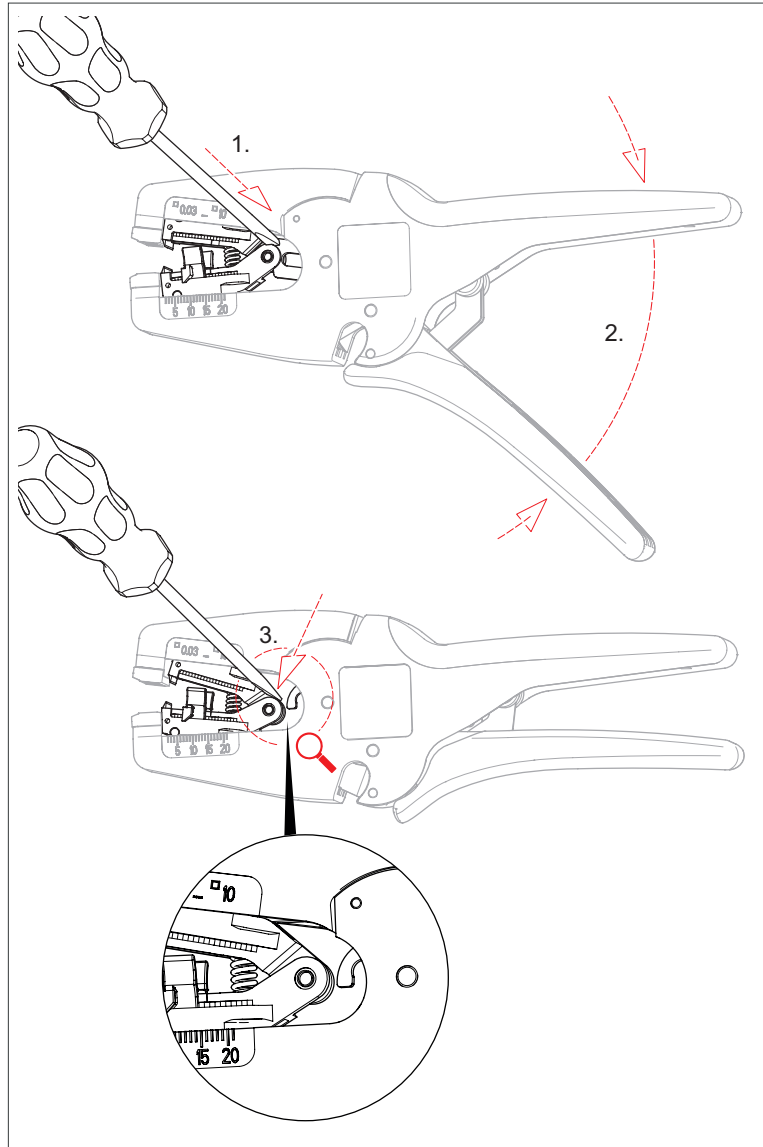
Replacing the feed stop

1. Press the feed stop together lightly and pull it off the guide.
2. Place the new length stop onto the guide and gently press it together until it clicks into place.
3. Check whether the feed stop can be moved.

5.2 Changing the blade unit

5.2.1 Removing the blade unit

1. With the pliers open, insert a small screwdriver into the hole above the blade unit and connecting bar.
2. Squeeze the handles and use the screwdriver to pry the blade unit off the connecting bar.



Detaching the blade unit from the connecting bar

3. Grip the blade unit with your thumbs at the feed stop and push it upwards.

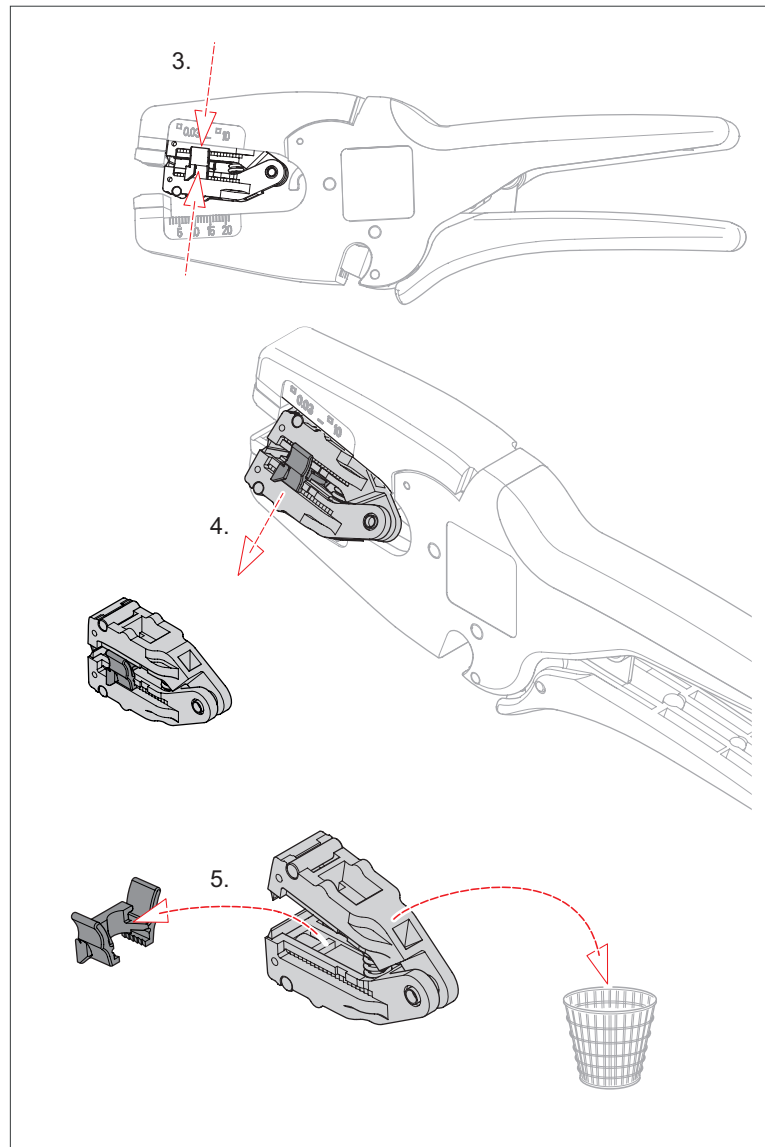


Warning!

Warning: Sharp blades!

Handling sharp blades is dangerous. For this reason, make sure to handle your tools with care when working.

4. Tip the blade unit to the side and pull it out in a downwards movement.

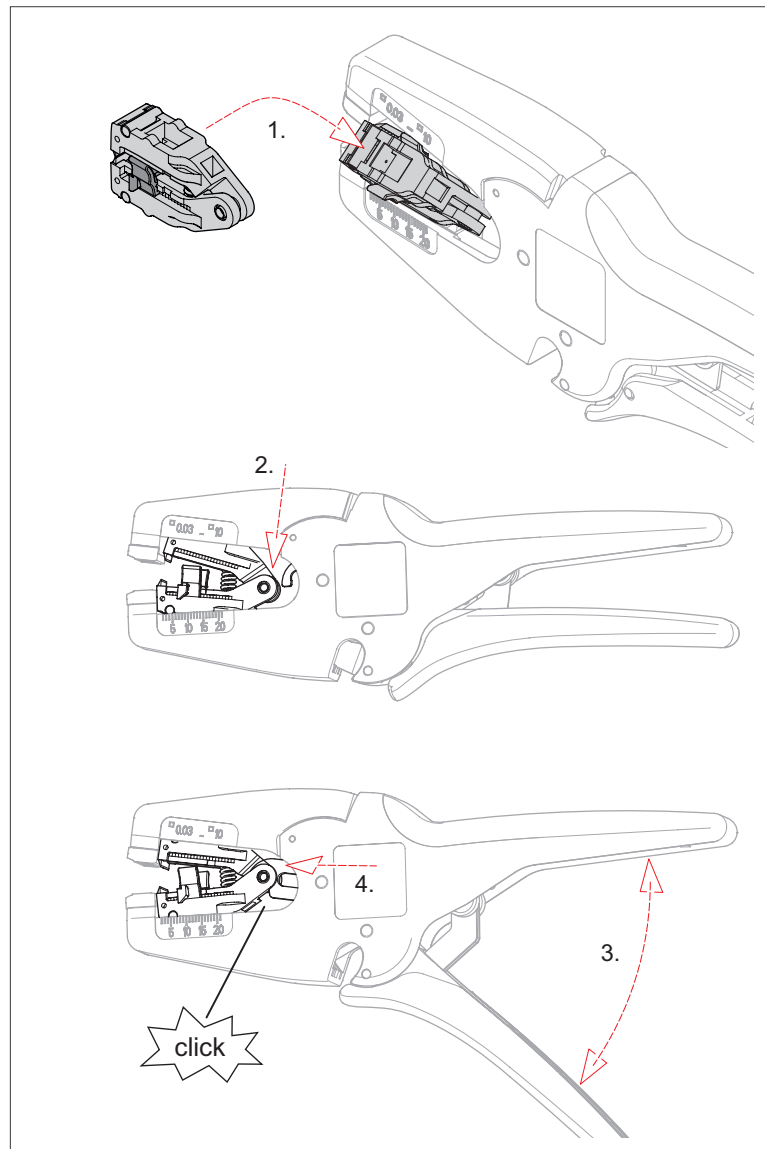


Removing the blade unit

5. Remove the feed stop from the blade unit and attach it to the new blade unit (the feed stop is not included in the replacement blade unit).

5.2.2 Inserting a new blade unit

1. Lightly squeeze the new blade unit and insert it into the tool at an angle.
2. Push the blade unit joint downwards.
3. Let the handles of the pliers spring open. The connecting bar slips onto the joint of the blade unit and engages with an audible click.



Installing the blade unit

4. If the connecting bar does not engage with the blade unit joint, use the screwdriver to slide the connecting bar onto the blade unit.
5. Check that the wire stripper is working correctly by stripping a cable.
6. Dispose of the old blade unit properly.

6 Technical data

6.1 Technical data

Technical data	Unit	
Item number Pliers	–	12 42 195
Item number Spare blades block	–	12 49 21
Item number Spare length stop	–	12 49 23
Item number Torsion spring	–	12 49 04
Length	mm	195
Weight	g	136
Body material	–	Glass fibre reinforced plastic
Knife material	–	Special tool steel, oil-hardened
Capacity	mm ²	0,03 ... 10,0
AWG	–	32 – 7

7 Disposal

The tool can be disposed of as household waste.



KNIPEX-Werk
C. Gustav Putsch KG

42337 Wuppertal

Tel.: +49 202 – 47 94-0
Fax: +49 202 – 47 74 94

info@knipex.com
www.knipex.com