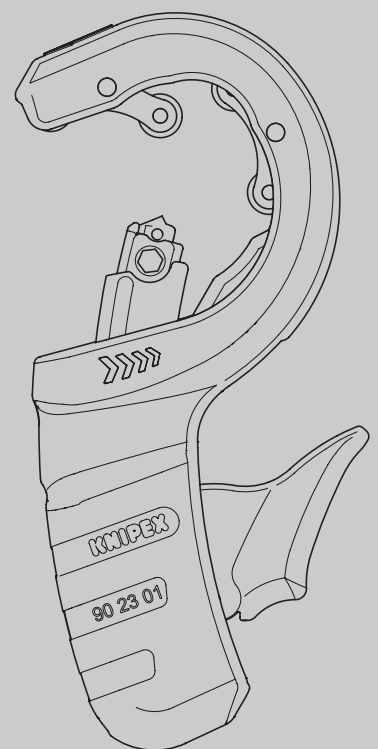


Operating instructions

90 23 01 BK

EN **KNIPEX DP50 Pipe Cutter**
For cutting and simultaneously chamfering
plastic drain pipes



CONTENTS

1	General	3
1.1	Notes on operating instructions	3
1.2	Symbols	3
1.3	Copyright	3
1.4	Guarantee and warranty	4
2	Safety	4
2.1	Intended use	4
3	Design and function	5
3.1	Design	5
3.2	Function	5
4	Operation	6
4.1	Adjust the tool to the pipe diameter	6
4.2	Cutting plastic pipes	7
5	Maintenance	8
5.1	Replacing the blade	8
6	Technical data	9
7	Disposal	9

1 General

1.1 Notes on operating instructions

These operating instructions are designed to enable you to use your tool safely and efficiently.

The tool may only be used if it is in technically perfect condition.

As a consequence of technical developments, the illustrations and descriptions contained in these operating instructions may differ slightly from the tool actually delivered.

We do not accept any liability for damage caused by failure to observe these operating instructions.

1.2 Symbols used

All safety instructions in these operating instructions are indicated by corresponding symbols. The signal words at the beginning of each safety instruction express the extent of the Hazard.



Danger!

Danger of severe to fatal injury

This combination of symbol and signal word indicates an imminently hazardous situation that will result in death or serious injury if not avoided.



Warning!

Warning of potentially serious to fatal injury

This combination of symbol and signal word indicates a possibly hazardous situation that may result in death or serious injury if not avoided.



Caution!

Risk of minor injury

This combination of symbol and signal word indicates a dangerous situation that can lead to minor or moderate injury.



Notice!

Indicates possible damage to property or the environment

This combination of symbol and signal word stands for important information that will assist in preventing damage to property or the environment.

1.3 Copyright

These operating instructions and all documentation supplied with this tool are protected by copyright and remain the property of KNIPEX.

The reprinting of these instructions, even in extract form, is only permitted with the written consent of C. Gustav Putsch KG.

1.4 Guarantee and warranty

The manufacturer grants a statutory warranty in accordance with the current sales and delivery conditions. No further warranties or assurances are granted.

Within the warranty period, the warranty covers the rectification of all defects that can be traced back to material faults or manufacturing errors.

Wearing parts are excluded from the warranty.

The repair or replacement of a tool shall not result in an extension of the warranty period. Tools shall only be repaired or replaced with "as new" parts, whose function corresponds to that of the old parts. All defective and hence replaced parts are the property of the manufacturer.

Warranty claims shall expire in particular if:

- Damage is caused through improper operation, use for purposes other than those specified by the manufacturer, or poor maintenance.
- Repairs or conversions are carried out by unauthorized persons.
- Original accessories or spare parts from KNIPEX are not used.
- Defective components are not repaired immediately to minimise the extent of the damage and so as not to impair the safety of the tool (obligation to repair).

For the rest, reference is made to the liability and warranty regulations of the current sales and delivery conditions.

2 Safety

2.1 Intended use

The tool is intended for the following uses:

- Cutting and simultaneous chamfering of domestic drain pipes with diameters of 32, 40 and 50 mm (up to 2.4 mm wall thickness); the section to be cut must be at least 10 mm long

Any use beyond the intended purpose or any unauthorized modification shall be considered improper. The operator shall be liable for damages resulting from improper use.

Intended use also includes adhering to these operating instructions. They must be read in full before use.



Warning!

Warning: Sharp blades!

Handling sharp blades is dangerous. For this reason, make sure to handle your tools with care when working.



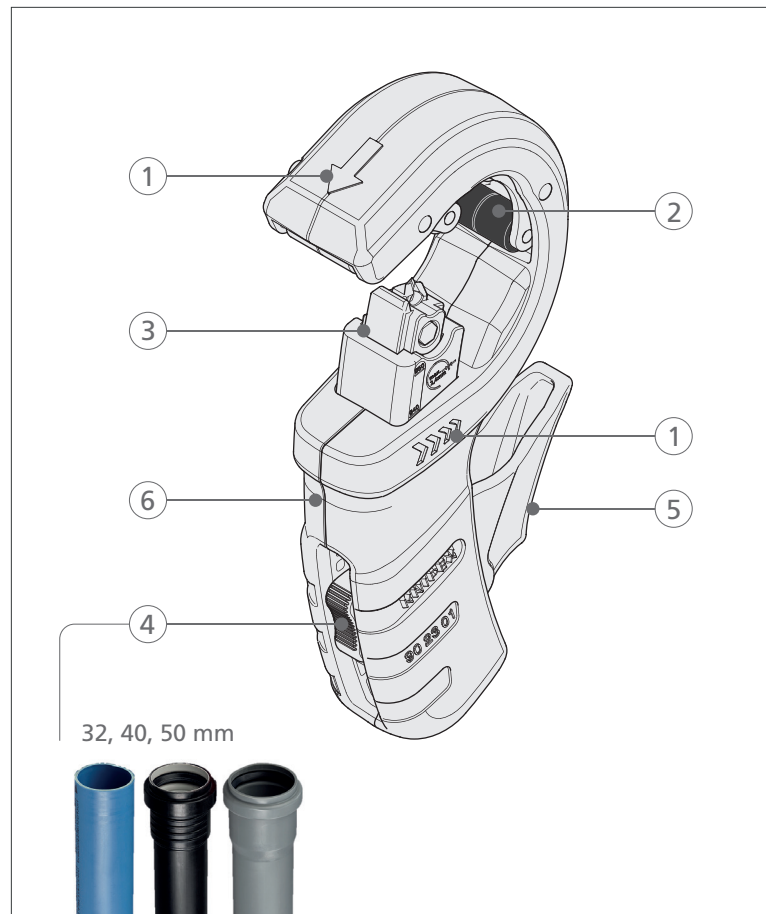
Warning!

Warning: Sharp blades!

Always transport the tool with the blade fully retracted (marking 32 mm). Never put your hand into the pipe holder.

3 Design and function

3.1 Design



Structure of the KNIPEX DP50

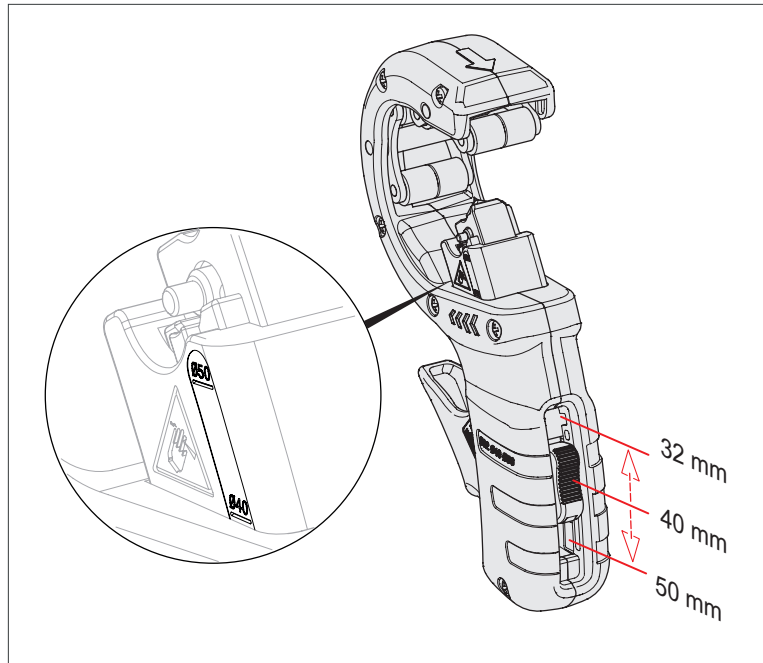
- 1 Arrows for direction of rotation
- 2 Pivoting guide rollers that secure the pipe for a right-angled cut
- 3 Adjustable cutting unit with replaceable blade and locking pin for the blade
- 4 Slider for setting the required pipe diameter (32, 40, 50 mm)
- 5 Lever for precise positioning of the pipe
- 6 Housing

3.2 Function

The KNIPEX DP50 pipe cutter can cut and chamfer house drain pipes at the same time.

4 Operation

4.1 Adjust the tool to the pipe diameter

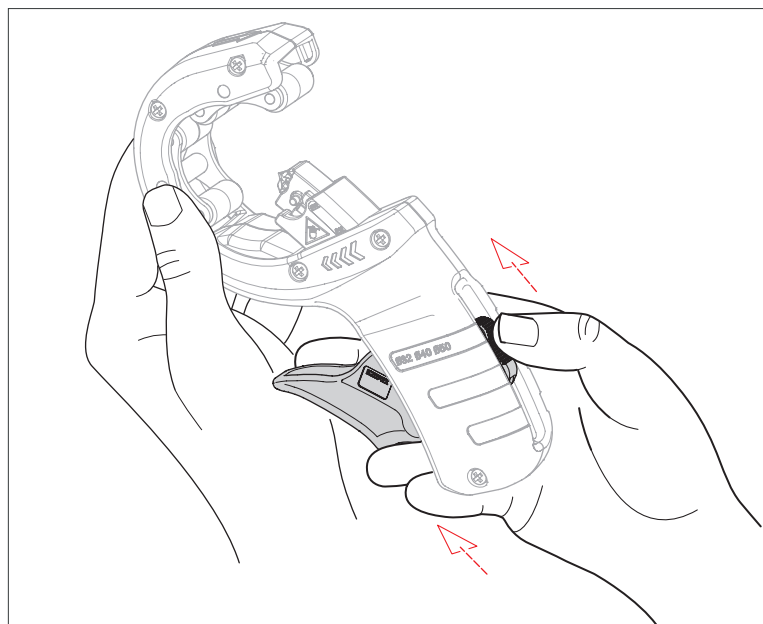


Set the tool to the correct pipe diameter

1. Use the slider to set the required pipe diameter (32, 40 or 50 mm). You can see the selected diameter on the blade block.

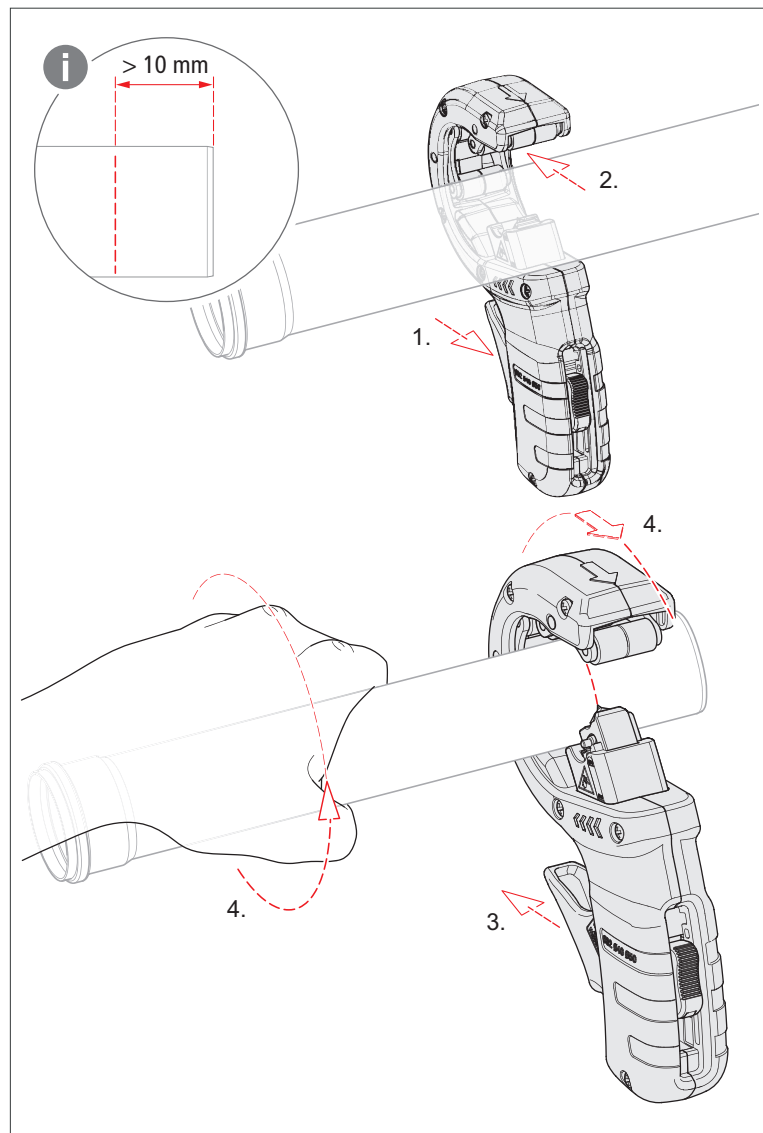
Tip:

Press the slide slightly into the handle with your thumb, at the same time guiding the lever with two fingers.



Tip: Guide the lever with two fingers during adjustment

4.2 Cutting plastic pipes



Cutting plastic pipes

1. Firmly press the lever against the handle to fully open the pipe holder.
2. Insert the pipe into the pipe cutter from the front. Use the blade to position the pipe at the point to be cut. The piece to be cut must be at **least 10 mm** long!
3. Release the lever.
4. Now cut the tube by **turning the pipe cutter in the direction of the arrow** or **turning the pipe in the opposite direction to the arrow**.

Notice

Never press the lever when cutting the pipe, otherwise the blade will no longer have the necessary cutting pressure!

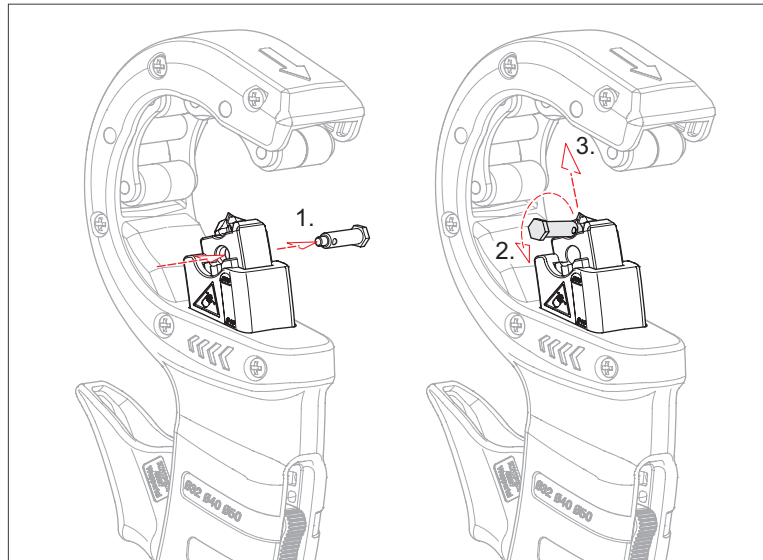
A chamfer is applied to both cut edges when cutting.

5 Maintenance

5.1 Replacing the blade

The blade can be changed without any tools.

5.1.1 How to change the blade



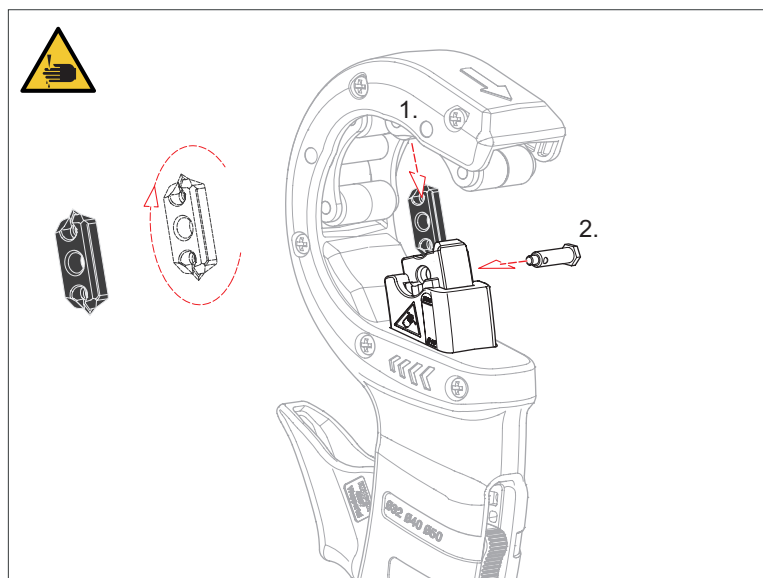
Removing the blade

1. Slide the locking pin out of the cutting unit.
2. Use the thinner part of the pin to pry the blade out of its position.
3. Now draw the loose blade out of position.

5.1.2 Installing a new blade

If the second side of the blade is still unused, you can turn the blade over and reinsert it.

If both sides of the blade are worn out, insert a new blade (spare part).



Inserting the blade

TECHNICAL DATA

1. Insert the blade into the relevant opening in the cutting unit. The blade can only be inserted in the correct position. **Caution: Sharp blade!**
2. Insert the locking pin from the correct side as far as it will go. If it is inserted incorrectly, the action of the tool will be blocked.

6 Technical data

Technical data	Unit	
Item number of the pipe cutter	–	90 23 01 BK
Item number of the spare blades	–	90 23 01 E01
Item number of the spare locking pin	–	90 23 01 E02
Length	mm	202
Width	mm	91
Height	mm	40
Weight	g	294

7 Disposal

Ensure that the dismantled parts of the tool are properly recycled.



KNIPEX-Werk
C. Gustav Putsch KG

42337 Wuppertal

Tel.: +49 202 – 47 94-0
Fax: +49 202 – 47 74 94

info@knipex.com
www.knipex.com