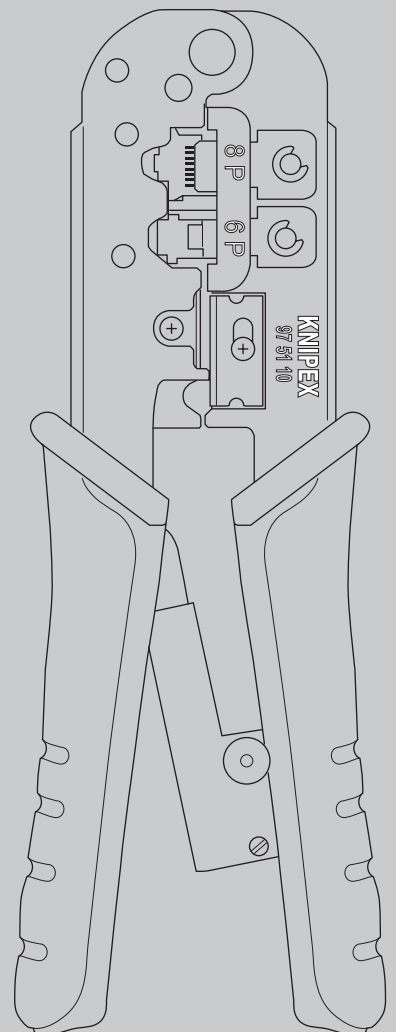


Operating instructions

97 51 10

EN **Crimping pliers for Western plugs**
for cutting and stripping unshielded telephone flat
cables and pressing 6- and 8-pin Western plugs



CONTENTS

1	General	3
1.1	Notes on operating instructions	3
1.2	Symbols	3
1.3	Copyright	3
1.4	Guarantee and warranty	3
2	Safety	4
2.1	Intended use	4
3	Design and function	5
3.1	Design	5
3.2	Function	5
4	Operation	6
4.1	Cutting, stripping and pressing 6-pin flat cables into Western plug type RJ 11/12	6
4.2	Cutting, stripping and pressing 8-pin flat cables into Western plug type RJ 45	8
4.3	Stripping and pressing CAT cables into Western plug type RJ 45	9
5	Maintenance	11
5.1	Replacing the blades	11
6	Technical data	11
7	Disposal	11

1 General

1.1 Notes on operating instructions

These operating instructions are designed to enable you to use your tool safely and efficiently.

The tool may only be used if it is in technically perfect condition.

As a consequence of technical developments, the illustrations and descriptions contained in these operating instructions may differ slightly from the tool actually delivered.

We do not accept any liability for damage caused by failure to observe these operating instructions.

1.2 Symbols

All safety instructions in these operating instructions are indicated by corresponding symbols. The signal words at the beginning of each safety instruction express the extent of the hazard.



Danger!

Level 1 risk source

This combination of symbol and signal word indicates an imminently hazardous situation that will result in death or serious injury if not avoided.



Warning!

Level 2 risk source

This combination of symbol and signal word indicates a possibly hazardous situation that may result in death or serious injury if not avoided.



Caution!

Level 3 risk source

This combination of symbol and signal word stands for important information that will assist in preventing damage to property or the environment.

1.3 Copyright

These operating instructions and all documentation supplied with this tool are protected by copyright and remain the property of KNIPEX.

The reprinting of these instructions, even in extract form, is only permitted with the written consent of C. Gustav Putsch KG.

1.4 Guarantee and warranty

The manufacturer grants a statutory warranty in accordance with the current sales and delivery conditions. No further warranties or assurances are granted.

Within the warranty period, the warranty covers the rectification of all defects that can be traced back to material faults or manufacturing errors.

Wearing parts are excluded from the warranty.

The repair or replacement of a tool shall not result in an extension of the warranty period. Tools shall only be repaired or replaced with "as new" parts, whose function corresponds to that of the old parts. All defective and hence replaced parts are the property of the manufacturer.

Warranty claims shall expire in particular if:

- Damage is caused through improper operation, use for purposes other than those specified by the manufacturer, or poor maintenance.
- Repairs or conversions are carried out by unauthorized persons.
- No original accessories or spare parts from KNIPEX are used.
- Defective components are not repaired immediately to minimise the extent of the damage and so as not to impair the safety of the tool (obligation to repair).

For the rest, reference is made to the liability and warranty regulations of the current sales and delivery conditions.

2 Safety

2.1 Intended use

The tool is intended for the following uses:

- Cutting unshielded telephone flat cables (6-pin, 8-pin)
- Stripping unshielded telephone flat cables (6-pin, 8-pin)
- Stripping CAT cables
- Crimping 6- and 8-pin Western plugs type RJ 11/12 (9.65 mm wide) and type RJ 45 (11.68 mm wide) on flat cables and CAT cables

Any use beyond the intended purpose or any unauthorized modification shall be considered improper. The operator shall be liable for damages resulting from improper use.

Intended use also includes adhering to these operating instructions. They must be read in full before use.



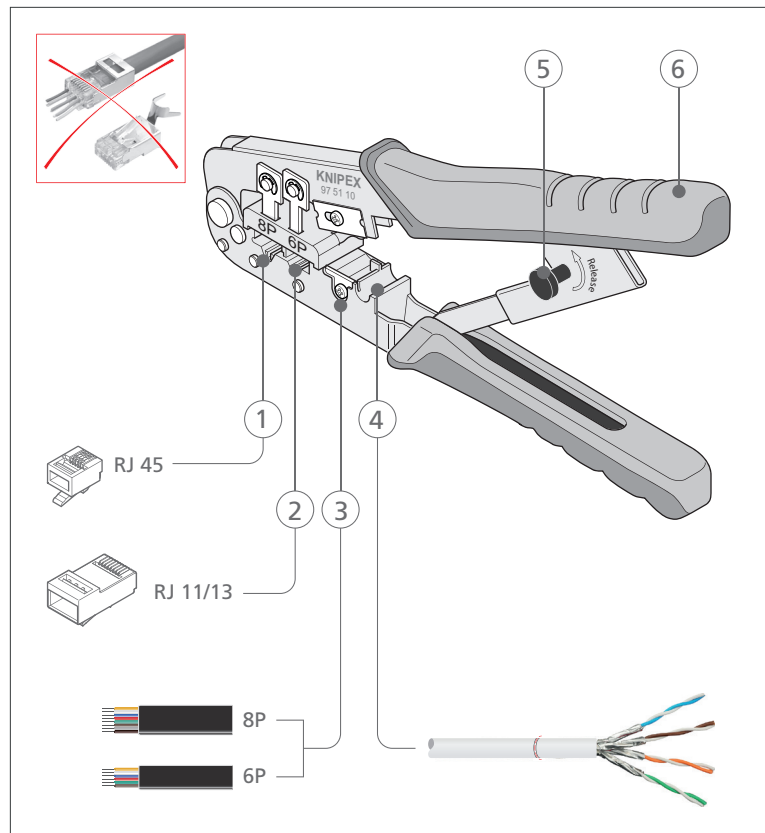
Warning!

Danger from sharp blades!

Handling sharp blades is dangerous. For this reason, make sure to handle your tools with care when working.

3 Design and function

3.1 Design



Design crimping pliers

- 1 Crimping point for 8-pin Western plugs (RJ 45 - 11.68 mm)
- 2 Crimping point for 6-pin Western plugs (RJ 11/12 - 9.65 mm)
- 3 Cable cutter and stripping blade for 6 and 12 mm flat cables
- 4 Stripping blade for CAT cables
- 5 Unlocking the forced locking mechanism
- 6 Handles

3.2 Function

The crimping pliers for Western plugs can be used to cut and strip flat cables and crimp Western plugs.

CAT cables (network cables) can be stripped and crimped.

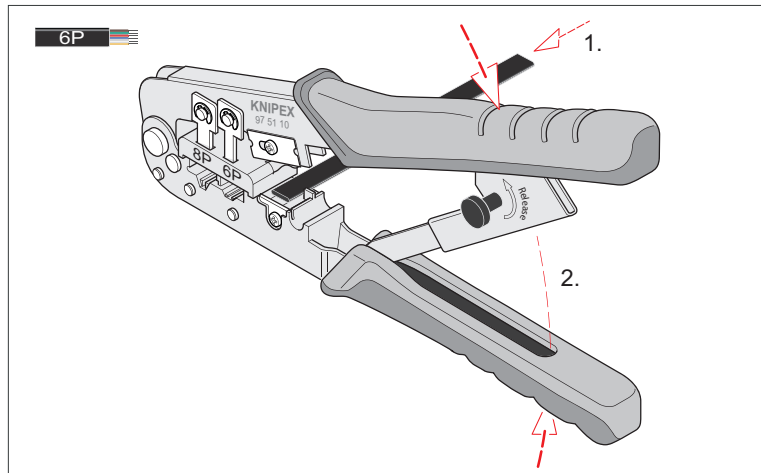
The forced locking mechanism, which can be unlocked as required, ensures that the pliers only open when the required crimping pressure is reached.

4 Operation

4.1 Cutting, stripping and pressing 6-pin flat cables into Western plug type RJ 11/12

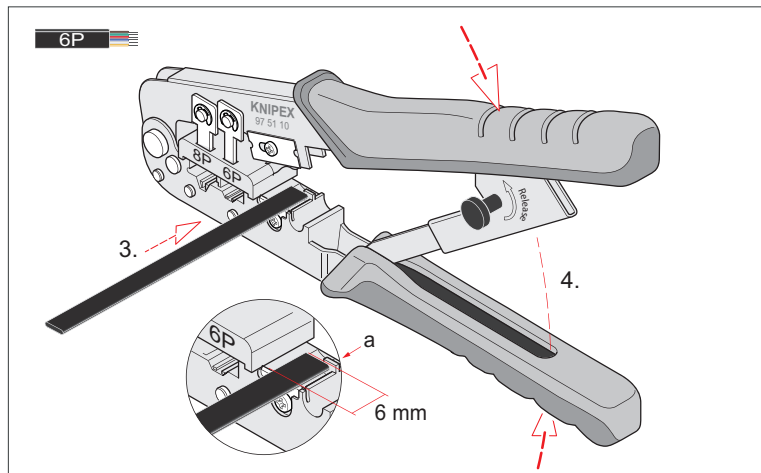
4.1.1 Cutting and stripping 6-core flat cables

- » Insert the end of the cable into the holder from the back.
- » Press the pliers completely together to cut the cable.



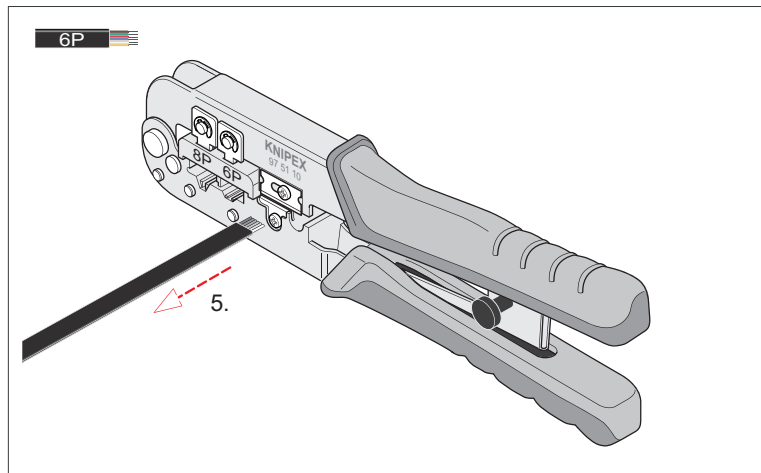
Cutting the flat cable

- » To obtain a stripped length of approx. 6 mm, insert the cable into the holder from the front as far as it will go (a).



Stripping the flat cable

- » Press the tool together.

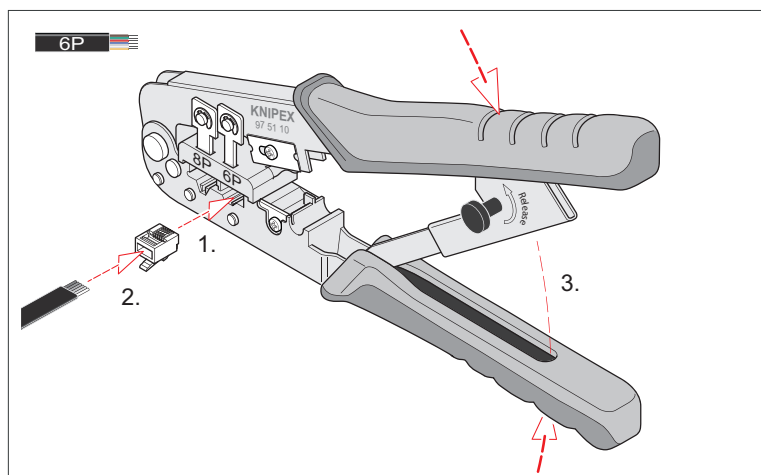


Withdrawing the ribbon cable to strip the insulation

- » Pull the cable out of the tool to strip the insulation.

4.1.2 Pressing 6-pin flat cables into Western plug type RJ 11/12

- » Insert a 6-pin Western plug into the crimping point.
- » Insert the cable into the connector as far as it will go.
- » Press the tool together completely.



Pressing Western plugs



Important note!

The pliers have a forced locking mechanism to ensure the quality of the crimp. If necessary, the lock can be released by twisting the release button.

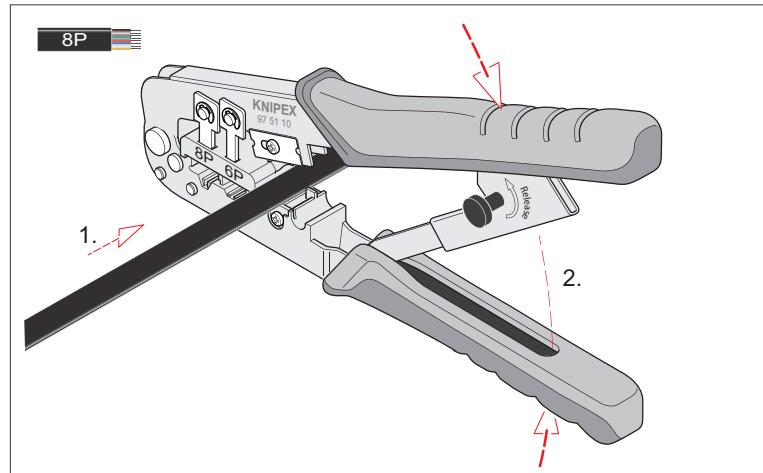
4.2 Cutting, stripping and pressing 8-pin flat cables into Western plug type RJ 45

Only use open plugs without strain relief for this tool. "Pass through" plugs and closed plugs cannot be crimped with this tool.

4.2.1 Cutting and stripping 8-core flat cables

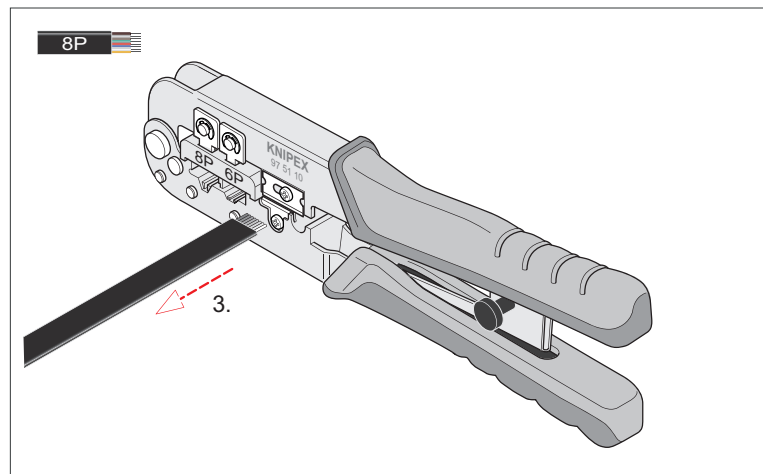
8-core flat cables can be cut and stripped in one work step with this tool.

» Insert the cable into the holder from the front.



Cutting and stripping the flat cable in one step

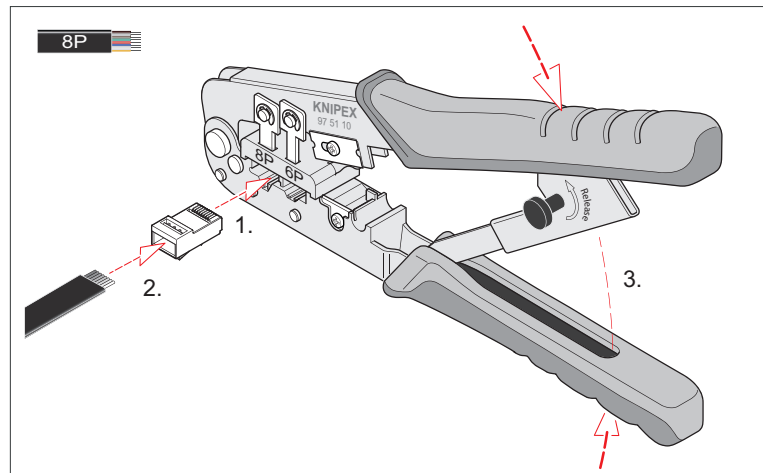
- » Press the pliers completely together to cut the cable.
- » Pull the cable out of the tool to strip the insulation.



Withdrawing the ribbon cable to strip the insulation

4.2.2 Pressing 8-pin flat cables into Western plug type RJ 45

- » Insert a 8-pin Western plug into the crimping point.
- » Insert the cable into the connector as far as it will go.
- » Press the tool together completely.



Pressing Western plugs



Important note!

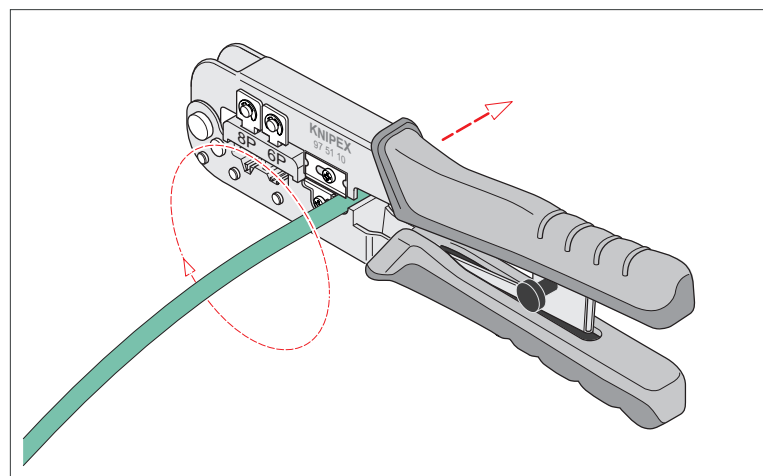
The pliers have a forced locking mechanism to ensure the quality of the crimp. If necessary, the lock can be released by twisting the release button.

4.3 Stripping and pressing CAT cables into Western plug type RJ 45

Only use open plugs without strain relief for this tool. "Pass through" plugs and closed plugs cannot be crimped with this tool.

4.3.1 Stripping CAT cables

- » Place the end of the cable in the CAT cable holder.



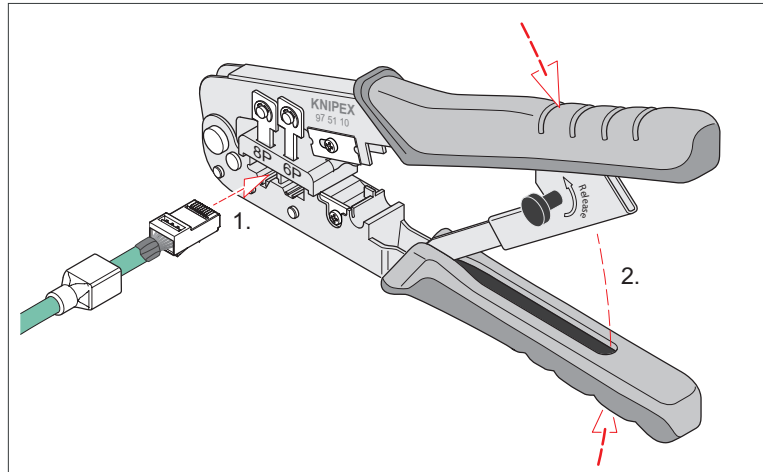
Stripping the data cable

- » Squeeze the tool a little and twist the cable to cut into the insulation.
- » Release the forced locking mechanism by twisting the release button.
- » Pull the insulation off the end of the cable.

4.3.2 Pressing a CAT cable into Western plug type RJ 45

Prepare the cable according to the respective application.

- » Insert the stripped cable ends into the plug. Use an insertion aid if necessary.
- » Insert the prepared Western plug into the 8P crimping point.
- » Press the tool together completely.



Pressing Western plugs



Important note!

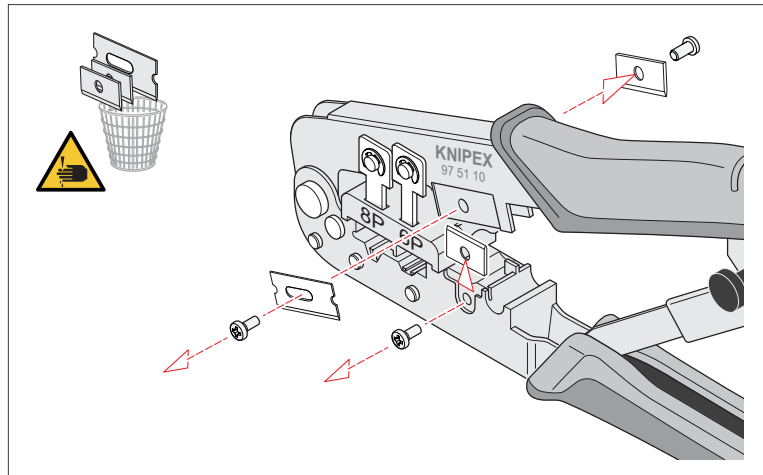
The pliers have a forced locking mechanism to ensure the quality of the crimp. If necessary, the lock can be released by twisting the release button.

5 Maintenance

Oil the joint of the tool regularly.

5.1 Replacing the blades

1. Unscrew the screws at the blades.
2. Pull the lower blade out of its guide.



Changing blades

3. Dispose of the used blade properly.
4. Install the new blades in the reverse order.

6 Technical data

Technical data	Unit	
Article number	–	97 51 10
Article number spare blades (4 pieces)	–	97 59 06
Length	mm	190
Weight	g	340
Properties	–	Handles with multi-component grips
Application	–	Open Western plugs (6-pin, 8-pin)
Capacity		RJ 11/12 (6-pin) 9.65 mm; RJ 45 (8-pin) 11.68 mm

7 Disposal

The tool can be disposed of as household waste.



KNIPEX-Werk
C. Gustav Putsch KG

42337 Wuppertal

Tel.: +49 202 – 47 94-0
Fax: +49 202 – 47 74 94

info@knipex.com
www.knipex.com